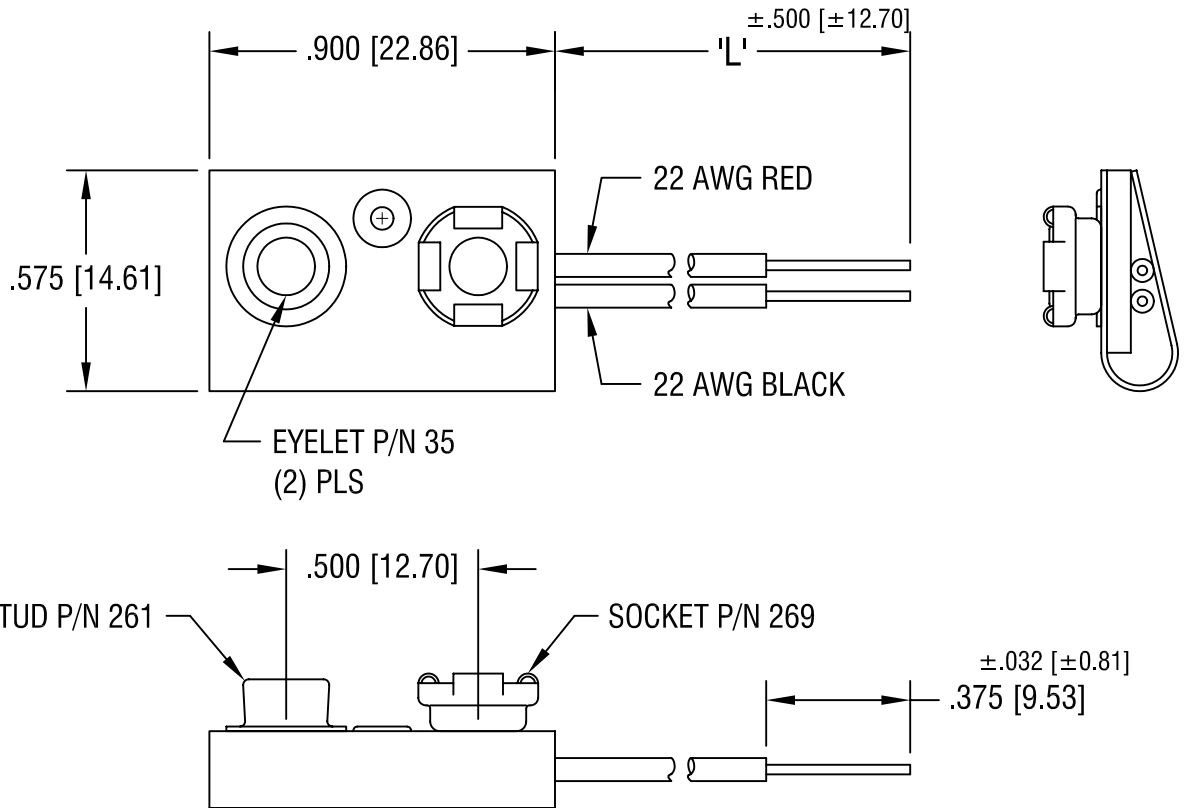


THIS DOCUMENT IS THE PROPERTY OF  
KEYSTONE ELECTRONICS CORP. AND  
SHALL NOT BE REPRODUCED, DISTRIBUTED  
OR USED AS A BASIS FOR MANUFACTURE  
WITHOUT PRIOR WRITTEN PERMISSION  
FROM KEYSTONE ELECTRONICS CORP.



NOTES:

1. MAT'L -

WIRE: 22 AWG, 1061 UL/CSA APPROVED  
.052 [1.32] O.D. PVC INSULATION.  
RED WIRE SOLDERED TO FEMALE CONTACT;  
BLACK WIRE TO MALE CONTACT.

2. BASE:

MAT'L - .062 [1.57] TH'K FIBRE  
COVER:  
MAT'L - .015 [0.38] TH'K FIBRE  
CONTACT:  
MAT'L - STEEL  
FINISH - NICKEL PLATE  
EYELET:  
MAT'L - BRASS  
FINISH - TIN PLATE

PART NO.	'L' DIM.
83-4	4.000 [101.60]
83	6.500 [165.10]
83-8	8.000 [203.20]

<b>KEYSTONE ELECTRONICS CORP.</b>			
ASTORIA, N.Y. 11105-2017			
PART NAME			
'9' VOLT BATTERY STRAP			
MATERIAL			
AS NOTED			
FINISH		DRN BY	DATE
AS NOTED		BOONE	5.17.96
		APPD	SCALE
		LN	2X
TOLERANCES	INCH [MM]	CODE	DWG NO.
DECIMAL	± .010 [± 0.25]	C/M	<b>83-</b>
ANGULAR	± 1°		
UNLESS OTHERWISE SPECIFIED			

DATE	DESCRIPTION	REV.